



PLACEMENT BROCHURE



Shri Balsaheb Mane Shikshan Prasarak Mandal, Ambap

Ashokrao Mane Group of Institutions

Vathar tarf Vadgaon, Taluka - Hathkanangale, District - Kolhapur

CONTENT

Vision & Mission	1
Message From President	2
Message From Exe. President	3
Message From Exe. Director and Director	4
About Us	5
Courses offered Diploma	6
Infrastructure	8
Courses offered Degree	10
Beyond academics	12
Training & Placement Cell	15
Placements	16
How to Reach AMGOI	

Our Inspiration



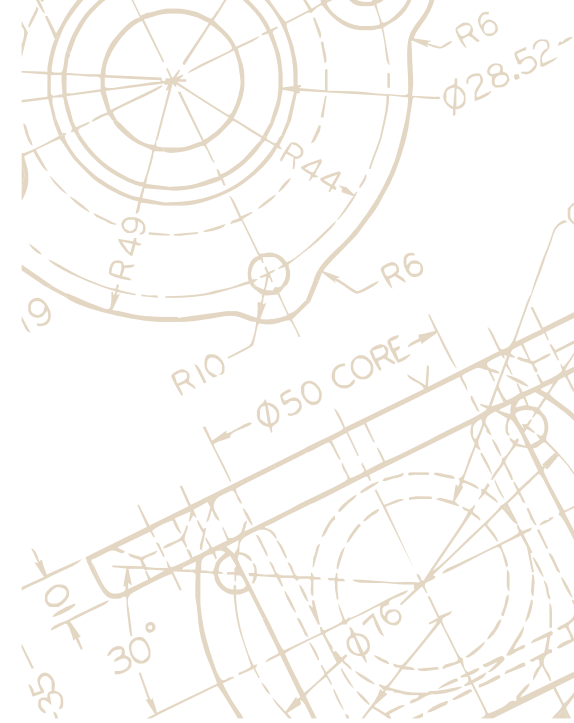
Late. Hon. Ashokrao Mane
Founder President

VISION

To be a globally respected institution, striving continuously for excellence in technical education and research.

MISSION

To make the students acquire technical knowledge and learn to apply it professionally with due consideration for ethical, ecological and economical issues. To also provide knowledge based technological services that satisfy the needs of society and industry; to help in building national capabilities in engineering, technology.



PRESIDENT'S MESSAGE



Hon. Shri. Vijaysinh Mane

Our organization aims at enabling students who are from rural areas to take on the challenges in a diverse range of new and emerging areas of knowledge. AMGOI makes special efforts to provide them with unique opportunities for learning in an environment which is conducive to the pursuit of knowledge, acquisition of skills, development of character, self esteem and recognition of rights and responsibilities so as to empower them to serve the society. All these specialities make our institution 'A institution with a difference'.

I am happy that the placement cell of our institute is bringing out an updated brochure to showcase our academic programs and provide information to prospective employers. I am sure that the information contained in the brochure would generate active interest and the HRD people of the leading commercial and industrial organizations will conduct in campus recruitment and offer coveted career opportunities to the students of our institute. We believe education is vital for building strong families, vibrant communities and skilled workers. As a premier learning centered institution committed to excellence, our vision for the Institution is to be recognized as a dedicated institution aiming to achieve academic success that fosters continued learning, economic empowerment, entrepreneurial development and skilled enhancement. We are sure that as a potential employer your search for the right candidate ends here.

A handwritten signature in blue ink, appearing to be 'Vijaysinh Mane'.



Hon. Shri Vikasrao Mane

Education is the manifestation of perfection already existing in man. At AMGOI we strive to inculcate this perfection , discipline and the right value systems in youth , who will be torchbearers of tomorrow . To achieve this we are very fortunate to have the right blend of dedicated faculty and world class infrastructural facilities in our campus. All of us have strived hard to build an oasis of excellence where we can shape our students to meet the challenges of the future . As Franklin Roosevelt has said , “We cannot always build the future for our youth , but we can build our youth for the future”.

Our core values are quality, equity, morality, environmental sustainability, energy saving and strong commitment to the cause of technical education and services.

We believe in....

Equitable and harmonious growth of the students, staff, society and industry.

Quality services and education to train students enlightened with vision to be committed citizen with strong civic sense and high moral standard having concern for local and global issues.

I feel privileged to invite you to participate in the placement process this year as I am confident that your organization will benefit immensely from your choice of candidate at AMGOI. We look forward to a mutually enriching relationship with your organization. We solicit your cooperation and feedback for making things still better and look forward to strengthening our relationship.

A handwritten signature in blue ink, appearing to be 'Vikasrao Mane', written over a horizontal line.

EXECUTIVE DIRECTOR'S MESSAGE



Dr. D. N. Mudgal

Ashokrao Mane group of institution has provided a raised platform in academics, professionalism, personality grooming for budding engineers and above all the making a quality human being to enable you to rub the shoulder with best in the Corporate world.

At Ashokrao Mane College, We are passionate about grooming the engineers in the art and confidence to conquer the world by exploring their LATENT TALENT.

Personality grooming is an important facet of our institute where the complete package is delivered to transform the raw input into the quality human resource readymade to meet the challenges of varied natures.

I and my worthy management members are always ready to serve the student fraternity in respect of academic studies and other extracurricular activities for full personality development of the students along with technical knowhow. We are always positive in the benefit of the institute and of students in particular. Our recruiters are always welcome for any genuine problems and constructive suggestions.

As an Executive Director of Ashokrao Mane Group of institution, it gives me great pleasure in welcoming our recruiters to this newly emerging institute. I wish to express my full gratitude and heartfelt thanks to them who have put full faith in this institute and its students & staff. I further take this opportunity to assure you that we will not spare any effort in fulfilling all our promises. For the purpose, we have Placement team of 12 faculty and student placement coordinators is being headed by the Placement & Training Officer. Placement team takes active role in contacting and inviting companies to campus for recruitment. Apart from this we have well graded staff structure comprising well qualified enthusiastic youngsters with senior professors, well equipped laboratories, Rich computing center with internet facilities, experienced instructing staff. The batch of this year is a highly motivated and talented group, each of them, I am sure that they will make significant contributions to enable your company grow to new heights and develop a sustainable competitive advantage.



Dr. Ravi Kottur

DIRECTOR'S MESSAGE

The current era can be described as amalgamation in several spheres .while the economy is globalizing business is becoming border less. These together throw up the opportunities and challenges simultaneously. The situation being such that the opportunities make the strong stronger and challenges make the weak weaker.

We, at AMGOI, aim at strengthening the knowledge and skills levels of the students to enable them to meet the immense exploded challenges.

We believe in building and enhancing a strong Industry interaction and interface with value addition year on by way of industrial visits, guest lectures, projects, placements with best part being real time target oriented projects and its final achievement.

The mentors, our faculty, are highly qualified, motivated and rich in experience .Their involvement in overall professional advancement of students is comprehensive and total.

I, on behalf of AMGOI family, heartily welcome potential recruiters to AMGOI campus for recruitment of our students. I am sure you will recognize the availability of choice of bright and talented engineers with requisite skills that can solve your challenging engineering problems and add value to your organization.

INSTITUTE RECOGNISED BY

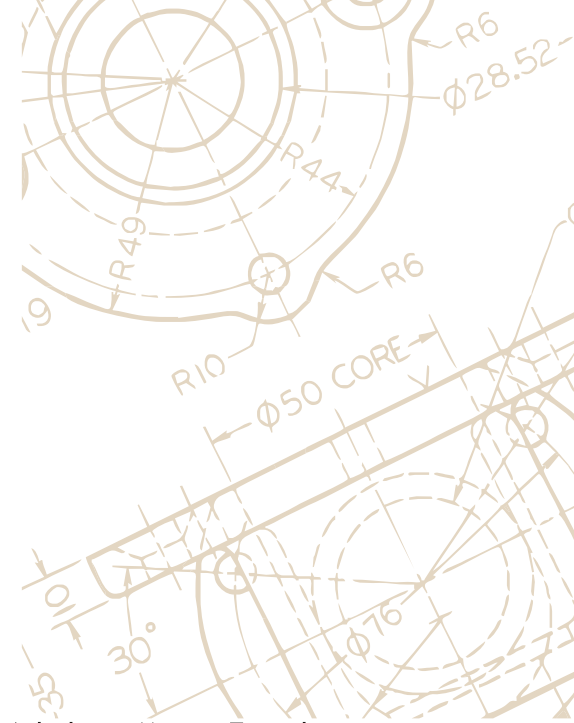
- All India Council for Technical Education(AICTE), New Delhi.
- Directorate of Technical Education, Mumbai, Maharashtra.
- Affiliated to Shivaji University, Kolhapur.
- Maharashtra State Board of Technical Education, Mumbai (MSBTE).

ABOUT US

Shri Balasaheb Mane Shikshan Prasarak Mandal, Ambap was established in year 1980 by Late Shri Ashokrao Mane, Founder President, with the aim of promoting education in Southern part of Maharashtra State. The journey to spread education was started with a secondary school in the year 1980. Shri Balasaheb Mane Shikshan Prasarak Mandal now runs 28 institutions comprising of School, Teacher's Education, Agriculture, Pharmacy, Polytechnic, Engineering and Management Studies.

Ashokrao Mane Group Of Institutions

- Campus spread over 17 Acres of land near Pune-Bengaluru National Highway
- Faculty with strong academic qualification & practical experience
- Independent training and placement cell
- Compulsory In-plant Training for students
- Full-fledged library with more than 28000 + books and 120 + journals, library having access to e-education resources under NME-ICT project, of National Knowledge network
- More than 1000+ computers with essential software
- 10 Mbps internet connectivity
- Central computing facility
- 20 different indoor /outdoor games facility
- Independent bus facility for Students and Staff
- Power backup: 100 KVA generator



COURSES OFFERED

1.	CIVIL ENGINEERING	120
2.	MECHANICAL ENGINEERING	120
3.	AUTOMOBILE ENGINEERING	60
4.	ELECTRICAL ENGINEERING	60
5.	COMPUTER SCIENCE AND ENGINEERING	60
6.	ELECTRONICS & TELECOMMUNICATION ENGINEERING	60



Message from Academic Dean (Diploma)

Prof. S.B. Kale
(M.E Mechanical)

Welcome to the Ashokrao Mane Polytechnic, located on NH 4 (Pune - Bengaluru) highway near Kolhapur. we are proud to offer a quality educational experience. You will find the people on campus and in the community to be friendly, enthusiastic and genuinely welcoming. We wish to have a long symbiotically beneficial relationship with our recruiters. Through this brochure, we take the opportunity to invite you to our campus and evaluate our student's talent. We are looking forward to your association in campus recruitment for the present academic year.

A handwritten signature in blue ink, appearing to be 'S.B. Kale', with a horizontal line underneath.



Computer Science and Engineering

The Diploma program in Computer Engineering has been in existence since 2008. It was started with an aim of providing quality computer science education to aspiring students. At present the course has an intake capacity of 60 students. The CS department has highly qualified faculty and has excellent state of the art hardware and software resources

Diploma



Mechanical

The Mechanical Engineering department has established in 2008 with 60 intake & the intake is revised to 120 in 2010. The department has well established Machine shop & Workshop, CNC Lab, Fluid Mechanics & Fluid Turbo Machinery Lab, Applied Thermodynamics Lab, Theory of Machine Lab, CAD/CAM/CAE Lab, Manufacturing process Lab and Metallurgy Lab. The total investment of the department is one Crore.



Electronics & Telecommunication

Electronics and Telecommunication engineering is a discipline that involves various hardwares and softwares which are crucial in today's speedy world. We have excellent infrastructure in the laboratory. Qualified and dedicated faculty members make the task easier.



Electrical

The department of Electrical Engineering plays a vital role in grooming engineers and technologists of highest caliber. The infrastructures and lab facilities are upgraded from time to time and provide adequate opportunities for the students to learn and innovate.



Civil

The department is imparting quality education to meet the technological advancement and industrial requirements. This has been made possible due to qualified and dedicated faculty, state of the art laboratories and infrastructure facilities..



Automobile

The department aims to satisfy the ever-increasing needs of the Automobile Industry for Technicians, Supervisory staff and Sales Persons having sound moral values through an integrated all-round development approach. At present the course has an intake capacity of 60 students



INFRASTRUCTURE



LAND and BUILDINGS : The AMGOI is spread over approx. 17 Acres .The total constructed area is approx. 03 lacs Sq. Ft.

LIBRARY : Fully furnished library having 28000 + books and National / International Journals

CLASS ROOM : The college has Spacious Lecture Halls. Which is having modern furniture, Audio Visual aids like LCD Projector & OHP.

COMPUTER LABS : Hi-tech Computer labs having approximately 1000+ Computers with original software and Networking peripherals.

LABORATORIES : Number of well equipped department Laboratories with all required latest and sophisticated equipments.

TRANSPORT : A fleet of 05 Buses and 02 Vehicles including xylo and Car available to provide Transport facility for the students and staff

COURSES OFFERED

1.	CIVIL ENGINEERING	120
2.	MECHANICAL ENGINEERING	120
3.	ELECTRICAL ENGINEERING	60
4.	COMPUTER SCIENCE AND ENGINEERING	60
5.	ELECTRONICS & TELECOMMUNICATION ENGINEERING	60



Message from Academic Dean (Degree)

Prof .H. V. Shete
(M.E Mechanical)

Welcome to the Ashokrao Mane Group of Institution. We have taken sustained and sincere efforts to prepare our students of CSE, ETC, EE, ME and CE for campus placements. Our students have acquired the necessary knowledge, skills, behavior and competence under designed program. We have also trained our students through designed training package. With these in view, may I therefore request you to kindly consider placements for our students in your esteemed organization. Looking forward for your support and patronage.

A handwritten signature in blue ink, appearing to be 'H. V. Shete'.



Computer Science and Engineering

The department has well equipped computing laboratories with Pentium PCs and a rich repository of software covering a wide spectrum of applications. The department conducts DBMS Lab, Programming Languages Lab, Network Programming Lab, Data structure, Operating system lab, Software system development lab, Visual programming, OOAD lab, Internet programming lab etc., to train the students in order to face the challenges in the IT field.

Degree



Mechanical

Mechanical Engineering is one of the largest and most versatile program with various applications virtually in every field and industry of all the Engineering disciplines, Mechanical Engineering is the most diversified branch, which offers largest selection of career paths. The department of Mechanical Engineering is blessed with a set of hard working and dedicated staff with illustrious Educational & Industrial backgrounds.



Civil

The department has an objective of developing high quality engineering manpower for the industry, R&D organizations and educational institutions. The department also inculcates scientific knowledge, ability to solve difficult problems, and an awareness of the social needs.



Electrical

The department has well qualified and experienced faculty members. The department is committed to achieve excellence in academic programs by enabling its students to achieve blending of knowledge acquisition and applications of such knowledge in real life situations. The department has good infrastructure with well equipped laboratories and an exclusive department library. The power packed EE department inspires the budding systems.



Electronics & Telecommunication

The department provides an effective engineering education and training to the students become a successful professional career. The laboratories are fully equipped with latest facilities for imparting quality education. It is blessed with highly qualified, dedicated and competent faculty members. Besides the high quality education, the department motivates the students in co-curricular and extra curricular activities.

CULTURAL EVENTS

Beyond Academics



Spandan is the annual on-campus techno-cultural fest of AMGOI spread over 5 days this is one of the most awaited events of the Institute. It comprises of technical events and cultural events

CAMPUS TRAININGS



Training & placement cell organizes various career guidance programs regularly for students. The cell arranges various programmes like preparation for interview which includes group discussion, importance of communication, technical and managerial skills, individual presentations, mock test, etc. In this way the hidden talent of students are unearthed and made available for the betterment & growth.

CAREER TALK



Expert lectures are organized for the upgradation & updating knowledge, skill & attitude of students. Career Talks include topics such as job opportunities in the field of engineering & technology in India & Abroad, how to improve the personality, how to face campus interviews, how to improve communication, the expert define & managerial skills, etc.

The college has arranged lectures of various experts on the topics of placement opportunities in various private & govt. organizations, higher studies in India and abroad, development of recent trends in Electronics, Computer Science, Mechanical & information technology.



IN PLANT TRAINING

Concentrating on industrial oriented trainings, our college students are constantly encouraged to undergo in-plant training at leading companies



INDUSTRIAL VISITS

We, at AMGOI, believe in balancing theory and practical training and so during the course duration we take our students for several industrial visits. Industry interface enables students to analyse and understand the ever changing dynamics of the industry. These visits provide students adequate exposure in tackling live problems encountered in the working of an industrial entity.





All communications in relation to placement and training may please be addressed to:

Placement Team,

Ashokrao Mane Group of Institutions

Vathar tarf vadgaon, Tal- Hathkanangale,
Dist.-Kolhapur (Maharashtra state),
India, Pin-416112

Phone : (0230) 2407740, 2407760(ext.121)

Mobile :09421222884

Email : tpo@amietv.org / tpo@amgoi.org,

Training and Placement Cell in the AMGOI plays a vital role and is becoming a key department of the institute. As there are large number of Engineering and Management colleges coming up, the competition for employment is increasing every day and the job of placement is becoming a challenging one. A full fledged placement cell is functioning in our college with a full time placement officer. Our Training and Placement Office is performing the following activities:-

Arranging in plant training for students.

Training to suit various needs of industry.

Inviting various organizations for campus recruitment.

Our organization also has been formulated Experienced & Dedicated Placement Advisory Committee to organize training programs to the student community in order to understand aptitude, logical reasoning and interview techniques. The committee will also have the task of inviting companies to the campus and organize guest lectures.

Why Recruit at AMGOI

- Our education system is highly innovative and has incorporated the best practices followed in Higher education.
- There are a good number of quality students available with us.
- Professionally managed Placement Cell to provide end to end solutions for Campus Drives.
- Professional staffs and Proactive Students who co-ordinate entire process of Campus placements
- Conference Hall - to conduct the corporate meets, high-level meeting and discussions.
- Seminar Hall - to conduct corporate training programs & seminars for both students and faculty.
- Auditorium with the LCD, mike & speaker facilities, to conduct the campus selection and joint campus selection programs.
- Infrastructure to support written test for more than 1,000 students at one time.
- We have fleet of buses, the services of which can be utilized to enable the students and parents to reach our campus in time at the time of
- joint campus / off-campus selection process involving a number of colleges in and around the city.

PLACEMENTS

The placement unit of AMGOI works under the guidance of the Experienced & Dedicated Placement Advisory Committee. It looks after the interests of the students and the recruiting organizations by acting as a channel of communication between them. The centre has been very active and been able to get placements to students in reputed organizations.

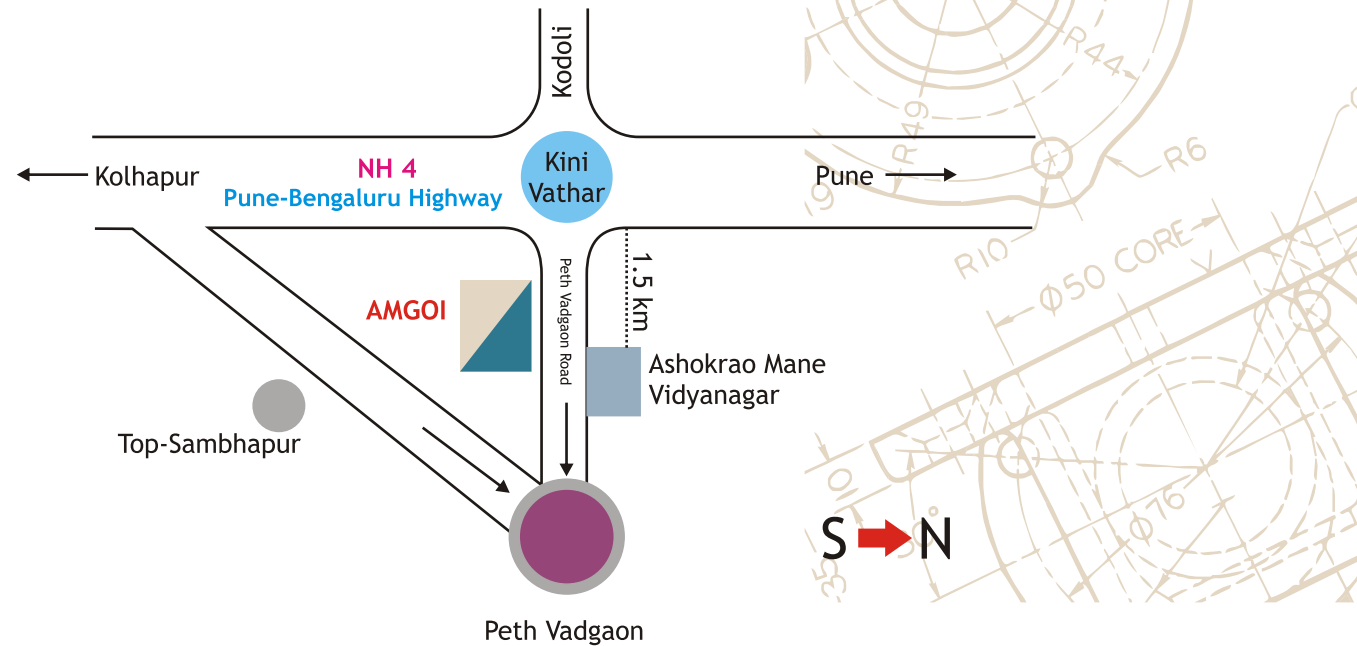
Recruitments for the year 2010-11

We are extremely delighted to inform that 100% of our students have got placed.

1	IVRCL Infrastructures & Projects Ltd.	08	7	EVER Electronics	33
2	John Deere Pune	11	8	Turbo Gear India Pvt. Ltd.	03
3	L& T Ltd., Pune	04	9	ITC Ltd. Pune	03
4	Mahindra & Mahindra Ltd.	27	10	American Axle & Mfg. Ltd.	02
5	Spicer India Ltd.	03	11	Rivolta Auto Pvt. Ltd.	08
6	TATA Motors Ltd.	02			



HOW TO REACH



LAST BUT NOT LEAST

Through this brochure we would like to thank all our recruiters for believing in us and our vision and hope to continue and consolidate the bond that we share.

For our new recruiters, the brochure hope to serve as a foreword. It helps you to explore Ashokrao Mane Group of Institution and gives an insight into how the institute manages to produce a convey of tech-savvy engineers year after the other. We look forward to mark the beginning of another meaningful and long lasting relationship. On that note, we extend our warm and sincere welcome to all, to participate in the recruitment in AMGOI Kolhapur .



Ashokrao Mane Group of Institutions

Vathar tarf Vadgaon,
Taluka - Hathkanangale,
District - Kolhapur
State - Maharashtra
Pin - 416112
INDIA.

Phone : (0230) 2407740, 2407750, 2407760 (extension-121)
Fax : (0230) 2407750
Mobile : 09421222884
E-mail : tpo@amgoi.org
Website : www.amgoi.org, www.amietv.org